



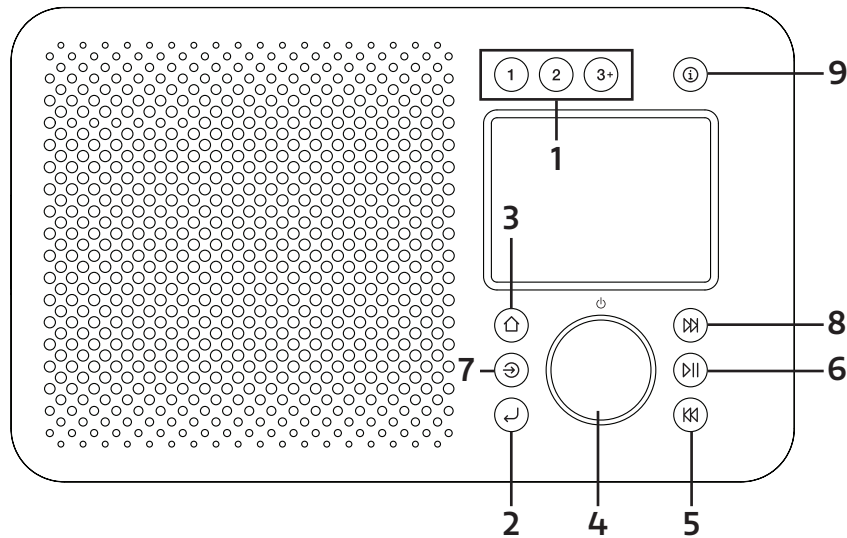
**Elan** DAB<sup>+</sup>

DAB+ . FM . Bluetooth<sup>®</sup>

User Guide



## Controls



### 1. PRESETS

Long press button 1, or 2 to save your favorite station.  
 Short Press button 1 or 2 to recall either preset.  
 You can save up to 20 stations to the preset list by long pressing button 3+.  
 To recall stations from the preset list, press 3+

### 2. BACK

Press to return to the previous screen.

### 3. MENU

Press to access the menu for the current source. Press again to leave the menu.

### 4. SELECT/ VOLUME/MUTE/SNOOZE:

- A. Power
  - Press to turn on.
  - Long press to turn the radio off.
- B. Volume
  - Rotate the knob to adjust the volume up or down during playback.
- C. Mute
  - Press the knob to mute the music when playing.
- D. Select
  - Rotate the knob to scroll through a menu or station list. Press the knob to select the chosen option.
- E. Snooze
  - Press the knob to snooze when alarm sounding.

### 5. SKIP BACK

Bluetooth: Press to select the previous track.  
 FM: Press to adjust the frequency in increments.  
 Long press to scan for the previous station.

### 6. PLAY/PAUSE

Press to Play & Pause when playing from Bluetooth.

### 7. SOURCE

Press to switch between different the different sources; DAB, FM & Bluetooth.

### 8. SKIP FORWARD / STATIONS

Bluetooth: Press to select the next track.  
 DAB: Press to access the station list.  
 FM: Press to adjust the frequency in increments.  
 Long press to scan for the next station.

### 9. INFO

View more information about the station or track playing. Press again to cycle through further information screens then return to the normal playing screen.

## Display

The screen shows various menus, dialogues and displays as described below.

There are basically six types of screen:

- Standby (clock)
- Splash (mode)
- Now playing
- Dialogue
- Information
- Menu

The Standby screen shows the time, date and any active alarm times.

Now playing screens show information about the audio source and track now playing, where available.

Dialogue screens are shown to allow the user to change settings.

Information screens give specific messages for a few seconds, then change automatically to another screen

## Menus

Digital Radio	10:27	System Settings	10:27
Station List	>	Sleep	>
Full Scan	>	Alarm	>
Manual Tune	>	Equaliser	>
Prune Invalid	>	Time/Date	>
DRC	>	Backlight	>
System Settings	>	Language	>
		Factory Reset	>
		Software upgrade	>
		Software version	>

Elan DAB+ has basically three types of menu. Use the Select knob to step through and select options.

Each source has a source menu, with options specific to that mode. See above for the Digital radio menu an example.

System settings >

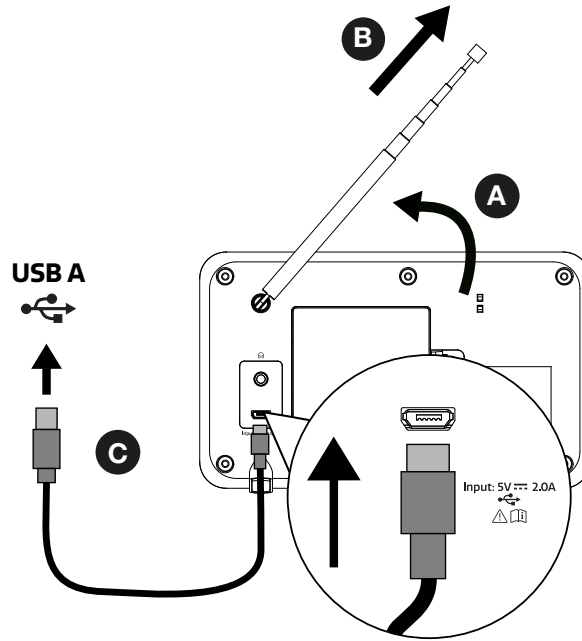
The '>' indicates options leading to further menus.

The System settings menu allows access to system settings and information such as Time/Date, Language and Software Update.

Menus with more options than will fit on one screen have a ">" on the right. Some menus, for example the System Settings menu, have several submenus.

## Setting up

Elan DAB+ is easy to use. To play DAB or FM radio, all you need is a USB power source;



- A. Place Elan DAB+ on a suitable surface.
- B. Extend the telescopic antenna.
- C. Connect the supplied USB cable between Elan DAB+ and a USB power adaptor\*.

\*Not included

## Time/date

The time and date can be updated manually or automatically.

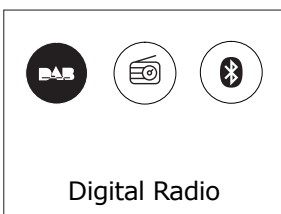
### Auto

Auto-update works with data sent over DAB, FM. The clock is only updated when in a corresponding mode, so it is best to select a mode you use regularly.

### Manual

If you set No update, the wizard now prompts you to set the time and date manually. The date is displayed as DD-MM-YYYY and MM-DD-YYYY.

## Sources



### Digital Radio

To enter Digital Radio mode, press Source until the display shows Digital Radio.

#### Scanning for stations

The first time you use Elan DAB+, or if the station list is empty, the radio automatically performs a full scan to see what stations are available. You may also need to start a scan manually to update the list of stations for one of the following reasons:

New stations may become available from time to time.

If reception was not good for the original scan (for example the antenna was not up), this may result in an empty or incomplete list of available stations.

If you have poor reception of some stations causing the audio to break up, you may wish to list only stations with good signal strength.

To do a full scan Select Menu > Full scan.

Once a scan is complete, the radio returns to playing the previously-selected station or first station on the station list.

To remove stations that are listed but unavailable Select Menu > Prune Invalid.

### Manual tune

As well as the normal method of scanning, you can also manually tune to a particular channel / frequency. This can be useful for adjusting your antenna to achieve the best possible reception and scanning a particular channel to update the station list.

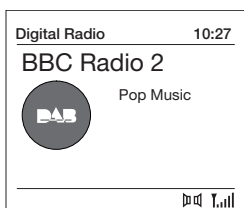
To manually tune Press Menu > Manual tune then use the select control button to display a particular channel/frequency, press Select to tune to that channel/frequency.

The display shows a live indication of the received signal strength on the selected frequency.

Adjustments to your antenna will be manifested in the received signal strength displayed.

Note: The division in the signal strength bar indicates the audio quality threshold – if the signal strength, as indicated by the solid rectangles, falls below this threshold the audio quality will deteriorate.

When a channel/frequency is selected Elan DAB+ also scans for any DAB stations on the selected frequency and updates the station list with any new stations found. To listen to any stations found return to the Now playing



### Now playing information

While a station is playing, the screen shows its name and DLS (Dynamic Label Segment) information broadcast by the station such as programme name, track title and contact details.

#### Slideshow

The normal now playing screen shows a thumbnail of the currently available slideshow image. (If no slideshow image is available a default DAB thumbnail image is displayed). A long press of the 'Info' button cycles through the following slideshow displays.

- 1) Slideshow image and DLS text being broadcast by the current station.
- 2) Full screen slideshow
- 3) Normal now playing screen.

To view further information Press Info .

Each time you press Info , the next set of information is displayed, cycling through: DLS text, DL Plus information (this is only displayed if broadcast by the station), programme type, ensemble name, channel number/ frequency, signal strength, Bit rate, power status and date.

### Other settings

Dynamic range compression (DRC)

This function reduces the difference between the loudest and quietest audio being broadcast. Effectively, this makes quiet sounds comparatively louder, and loud sounds quieter.

Select Menu > DRC > The options available are: DRC high | low | off.

## FM

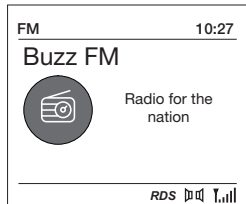
To enter FM mode: Press Mode until the display shows FM Mode.

### Selecting stations

The first time you select FM radio, Elan DAB+ is set to the lowest frequency in the FM band. On subsequent selections the last used frequency/station is displayed.

To scan for a station in FM mode press and hold the skip forward or skip back button. Elan DAB+ scans up through the FM band frequencies, showing the current frequency on the screen display.

Alternatively, you can short press the skip forward or skip back button to tune in 50 kHz steps.



### Now playing information

While FM radio is playing, the screen shows its frequency, or if RDS information is available, station name and any further RadioText' information. If no information is available, just the frequency and a No RadioText message is shown.

To view further information about the broadcast press Info. Each time you press Info, the next set of information is displayed, cycling through:

- RDS Radio text programme type
- Frequency
- Mono/stereo
- Power status
- Date.

### Settings

#### Scan settings

By default, FM scans stop only at stations with good signal strength .To change the scan settings, to stop at all stations select Menu > Scan setting > All Stations'. This may include poor quality audio from weak stations.

#### Audio settings

By default, all stereo stations are reproduced in stereo. For weak stations, this may result in poor quality audio. The audio quality can be improved using mono.

Options: Stereo allowed | Forced mono

To play weak stations in mono Select Menu > Audio setting > Forced mono.

## Bluetooth

To enter Bluetooth mode: Press source to choose Bluetooth mode.

### BT Pairing

To connect a Bluetooth capable device. Use your Bluetooth capable smart device to pair and connect with the Elan DAB+.

### Display information

The screen displays either Bluetooth Disconnected or Bluetooth Connected depending on the connection state.

## Alarms snooze and sleep

As well as a clock/calendar, there are two versatile wake-up alarms with snooze facility, and a sleep function to turn the system off after a set period of time. The alarm sound for each alarm can use a buzzer or a Digital Radio or FM Station.

### To set the clock/calendar

The settings for the internal clock and setting Alarm, Snooze and Sleep function are all accessible via the Systems Setting menu.

### Alarms

Note: Alarms will only function when the Elan DAB+ unit is On or in Standby mode. An active alarm is indicated by its icon in the bottom line of the display.

### To set alarms

Press Menu then use the Select control button to select System Settings - Alarm and then select the required Alarm 1 or 2.

To exit alarm setting mode, press Menu or Back (alternatively, the Alarm display will timeout and automatically return to the Now Playing screen after a short time).

The alarm setup prompts you for the following parameters. Select a value for each parameter in turn by turning the select control button and press Select to confirm and move on to the next parameter.

#### Parameters

Alarm – Off | On

Frequency – Daily | Once | Weekends | Weekdays

Choose the days on which the alarm is active.

Note: if you choose 'Once', you are prompted to enter the required date.

Wake Up time – hours and minutes

Source – Buzzer | Digital Radio | FM

If Digital radio or FM is chosen as the audio source a Preset Menu is displayed which allows you to select the station.

Duration – 15 | 30 | 45 | 60 | 90 | 120 minutes

If the alarm is not cancelled Elan DAB+ returns to standby after this time period.

Volume – rotate the top control button to set the required alarm volume.

This is the volume the alarm will build up to. (Initially the alarm sounds at a low volume and gradually gets louder to the set volume).

In all listening modes active alarms are indicated by displaying the relevant Alarm 1 and/or Alarm 2 icons.

At the set time, the alarm will sound, quietly at first, then gradually building up to the set volume. When an alarm sounds, the icon in the display flashes.

To cancel a sounding alarm and switch the radio to standby long press the Select button

### Snooze

To temporarily silence a sounding alarm, short press the Select button.

You can change the snooze period by repeatedly pressing the select button. Snooze periods are 5, 10, 15 and 30 minutes.

The radio returns to standby for the set time period with a snooze countdown displayed. When the countdown reaches 0 (zero) the alarm is triggered again.

Long press the 'Select, button to fully cancel a sounding alarm and switch the radio to standby.



## Sleep

To set the sleep timer while the radio is playing use the select control button to select Menu - System Settings - Sleep. You can choose the sleep delay time in minutes from: Sleep Timer Off | 15 | 30 | 45 | 60 | 90.

Use select control button to cycle through the options then press Select to choose the displayed option.

Once you select a sleep delay period, the display returns to the Now playing screen displaying a Crescent moon icon and the remaining time, in minutes, before the sleep time expires.

After the sleep delay period the radio switches to standby mode.

## System Settings

The System Settings allow you to tailor the Elan DAB+ with a variety of options to suit you.

To access system settings from any mode Select Menu >System Settings >, then choose from the various options as described in the menu as below.

The System Setting Menu options are:

- Sleep
- Alarm
- Equaliser
- Time/Date
- Backlight
- Language
- Factory Reset
- Software Update
- Software Version

To navigate through the menus

The following controls are used to move about the menu tree to choose and select the required settings:

Select - (pressing the Select control button) this selects the currently displayed option, if the option has a further sub-menu the first option of the sub-menu is displayed. If the option is a setting value, the displayed value is selected and either the next setting is highlighted or, if there are no further settings, the display returns to the parent menu for that setting.

Select control button - cycles forwards and backwards through the current menu or setting options.

Back - jumps back to the parent menu of the currently displayed menu or setting.

Menu to return to the Now Playing screen.

### Equalizer

This presents a My Equaliser option to allow you to create your own equaliser settings.

- Normal
- Classic
- Jazz
- Pop
- Rock
- Speech
- My EQ

### My EQ setup

This option allows you to set a bias in the treble and bass audio frequencies and turn 'Loudness' On or Off. Values can be set between -5 (Minus 5) and +5 (plus 5).

Treble - (Use the select control button to choose a bias value between -5 and +5)

Bass - (Use the select control button to choose a bias value between -5 and +5)

Loudness - No or Yes. (When Yes, low-level high and low frequency sounds are boosted to give a 'fuller' sound.)

## Time/Date

The time and date can be updated manually or automatically. With auto-update, the time and date are automatically broadcast over DAB and FM (when available). You can also select the display format for the time and date.

The Time menu contains the following options:

Set Time/Date – (see below)

Auto update – Update from Any | Update from digital radio | Update from FM | No Update

Set 12/24 hour – 12 | 24

Set date format – DD-MM-YYYY | MM-DD-YYYY.

## Set time/date

This option is for manually setting the time and date displayed.

The date displays as **DD-MM-YYYY** or **MM-DD-YYYY** depending on your choice of date format (see above).

Adjust each value using the select control button and press Select to confirm. The next value then becomes active and flashes. The time values follow and are set in the same way.

The time displays as **hh:mm**, with the first value, **hh**, active (flashing).

## Backlight

The Elan DAB+ has a backlight with three brightness settings, and adjustable timeout (this is the time delay, in seconds, after which the display switches to the Dim level).

There are three settings:

Timeout – On | 10 | 20 | 30 | 45 | 60 | 90 | 120 | 180 sec

On level – High | Medium | Low

Dim level – High | Medium | Low

## Language

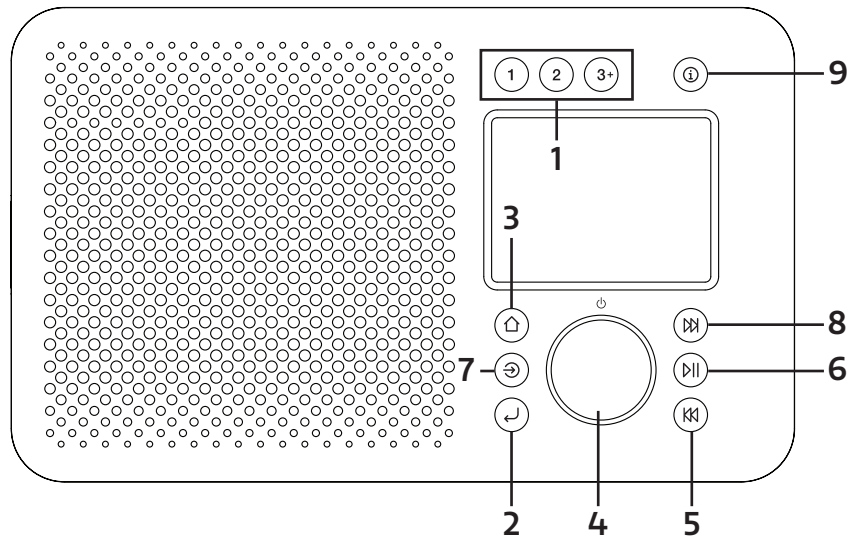
The default language is English. To change, select Menu > System settings > Language > then select your language.

## Factory reset

A factory reset clears all user defined settings, replacing them with the original default values, so time/date, preferences/ settings and DAB station list are all lost.

If you select Factory reset, you are asked to confirm by selecting "Yes".

# Kontrollen



## 1. VOREINSTELLUNG

Halten Sie die Tasten 1, 2 gedrückt, um Ihre Liebblingssender voreinzustellen und zu speichern. Drücken Sie die Tasten 1, 2 kurz, um den abzuspielenden Liebblingssender/die Voreinstellung auszuwählen.

Sie können 10 Sender speichern, indem Sie die Taste 3+ drücken und durch die voreingestellte Liste scrollen.

## 2. BACK

Drücken Sie die Taste ZURÜCK, um zum vorherigen Bildschirm zurückzukehren.

## 3. MENU

Drücken Sie die Taste MENÜ, um das MENÜ für den aktuellen Modus anzuzeigen. Durch erneutes Drücken wird der Bildschirm mit der aktuellen Wiedergabe angezeigt.

## 4. AUSWÄHLEN/LAUTSTÄRKE/STUMM/SCHLUMMERN

### A. Netzschalter

Einschalten oder zurück in den Standby-Modus (Anzeige von Uhrzeit und Datum), oder Abbrechen der Sleep-Funktion bzw. der Alarmfunktion.

### B. Lautstärke

Drehen Sie die Scrolltaste, um die Lautstärke zu erhöhen oder zu verringern bei der Wiedergabe.

### C. Stumm

Drücken Sie die Scrolltaste, um die Musik während der Wiedergabe stummzuschalten.

### D. Wählen Sie

Drücken Sie die Scrolltast, um für eine festgelegte Zeit den Schlummermodus zu aktivieren, wenn ein Alarm ertönt.

### E. Snooze

Drücken Sie die Scrolltast, um für eine festgelegte Zeit den Schlummermodus zu aktivieren, wenn ein Alarm ertönt.

## 5. ZURÜCK ÜBERSPRINGEN

Bluetooth: Drücken Sie diese Taste, um den vorherigen Titel auszuwählen.

FM: Drücken Sie diese Taste, um die Frequenz schrittweise einzustellen.

Lang drücken, um nach dem vorherigen Sender zu suchen.

## 6. SPIELPAUSE

Drücken, um im BT-Modus Wiedergabe/Pause auszuwählen.

## 7. SOURCE

Drücken Sie auf die Quelle-Taste, um die Modi DAB, FM und Bluetooth auszuwählen.

## 8. VORWÄRTS ÜBERSPRINGEN / STATIONEN

Bluetooth: Drücken Sie, um den nächsten Titel auszuwählen.

DAB: Drücken Sie diese Taste, um auf die Senderliste zuzugreifen.

FM: Drücken Sie diese Taste, um die Frequenz schrittweise einzustellen.

Lang drücken, um nach der nächsten Station zu suchen.

## 9. INFO

Weitere Informationen zum Sender oder Titel anzeigen. Erneut drücken, um durch weitere Informationsbildschirme zu blättern, und dann zum normalen Wiedergabebildschirm zurückzukehren.

# Anzeige

Der Bildschirm zeigt verschiedene Menüs, Nachrichten und Anzeigen wie unten beschrieben.

Grundsätzlich gibt es sechs Bildschirmtypen:

- Standby (Uhr)
- Splash (Modus)
- Aktuelle Wiedergabe
- Nachrichten
- Informationen
- Menü

Der Standby-Bildschirm zeigt Uhrzeit, Datum und alle aktiven Alarmzeiten an.

Sofern verfügbar, werden auf den angezeigten Bildschirmen Informationen zur Audioquelle und zum aktuell wiedergegebenen Titel dargestellt.

Es werden Dialogbildschirme angezeigt, damit der Benutzer Einstellungen vornehmen kann.

Informationsbildschirme geben einige Sekunden lang bestimmte Nachrichten wieder und wechseln dann automatisch zu einem anderen Bildschirm

# Menüs

<b>Digital Radio</b>	<b>10:27</b>	<b>Sys. einstell.</b>	<b>10:27</b>
Senderliste	>	Sleep	>
Voll. Suchlauf	>	Wecker	>
Man. einstellen	>	Equaliser	>
Leeran	>	Uhrzeit	>
DRC	>	Beleuchtung	>
Sys. einstell.	>	Sprache	>
		Werkseinstellung	>
		Software-Update	>
		Software-Version	>

Das Elan DAB+ verfügt grundsätzlich über drei Arten von Menüs. Verwenden Sie „Auswählen“, um die Optionen zu durchlaufen und auszuwählen.

Jeder Modus verfügt über ein Menü mit spezifischen Optionen für den jeweiligen Modus. Unten ein Beispiel für das Digital Radio-Modus-Menü.

Sys. einstell. >

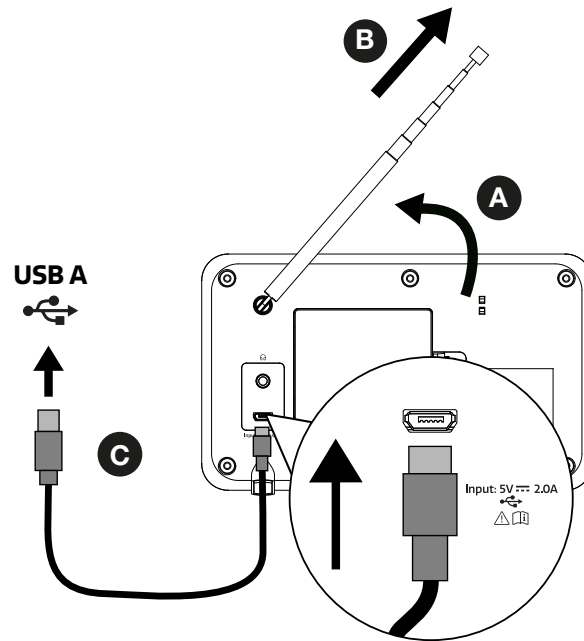
Das „>“ zeigt Optionen an, die zu weiteren Menüs führen.

Das Menü „Sys. einstell.“ ermöglicht den Zugriff auf Sys. einstell. und Informationen wie Zeit, Sprache und Software-Updates.

In Menüs mit mehr Optionen, als auf einen Bildschirm passen, wird rechts „>“ angezeigt. Einige Menüs, z.B. das Menü „Sys. einstell.“, verfügen über mehrere Untermenüs.

## Setting up

Der Elan DAB+ ist einfach zu bedienen. Alles, was Sie zum Abspielen von DAB- oder FM-Radio benötigen, ist eine USB-Stromquelle;



- A. Legen Sie Elan DAB+ auf eine geeignete Oberfläche.
- B. Ziehen Sie die Teleskopantenne vollständig aus.
- C. Schließen Sie das mitgelieferte USB-Kabel zwischen Elan DAB+ und einem USB-Netzteil an.

\*Nicht inklusive

## Zeit/Datum

Uhrzeit und Datum können manuell oder automatisch aktualisiert werden.

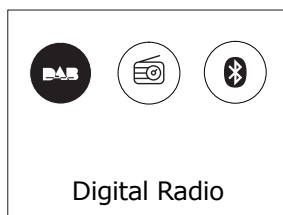
### Autom. Aktualisierung

Die automatische Aktualisierung nutzt Daten, die über DAB, UKW gesendet werden. Die Uhrzeit wird nur im entsprechenden Modus aktualisiert. Daher empfiehlt es sich einen Modus auszuwählen, den Sie regelmäßig verwenden.

### Manuelle Einstellung

Wenn Sie „Keine Aktualisierung“ auswählen, fordert der Assistent Sie zur manuellen Einrichtung der Uhrzeit und des Datums auf. Das Datum wird im Format TT-MM-JJJJ und MM-TT-JJJJ angezeigt.

## Quellen



### DAB

Um in den DAB-Modus zu gelangen, drücken Sie entweder „Modus“, bis auf der Anzeige DAB-Radio angezeigt wird.

### Sendersuchlauf

Wenn Sie den Elan DAB+ zum ersten Mal verwenden oder wenn die Senderliste leer ist, führt das Radio automatisch einen vollständigen Suchlauf durch, um festzustellen, welche Sender verfügbar sind. Möglicherweise müssen Sie aus einem der folgenden Gründe einen Scan auch manuell starten, um die Liste der Stationen zu aktualisieren:

Gelegentlich werden möglicherweise neue Stationen verfügbar.

Wenn der Empfang für den ursprünglichen Suchlauf nicht gut genug war (z. B. wenn die Antenne nicht aktiv war), kann dies zu einer leeren oder unvollständigen Liste der verfügbaren Stationen führen.

Wenn Sie für einige Sender einen schlechten Empfang haben und der Ton dadurch unterbrochen wird, möchten Sie möglicherweise nur Sender mit guter Signalstärke auflisten.

Um einen vollständigen Suchlauf auszuführen, wählen Sie „Menü“ > „Vollständiger Scan“.

Wenn ein Suchlauf abgeschlossen ist, kehrt das Radio zur Wiedergabe des zuvor ausgewählten Senders oder zum ersten Sender in der Senderliste zurück.

Um aufgelistete, aber nicht verfügbare Sender zu entfernen, wählen Sie „Menü“ > „Ungültige bereinigen“

### **Manueller Suchlauf**

Wie auch mit der normalen Methode des Suchlaufs können Sie auch manuell einen bestimmten Kanal oder eine bestimmte Frequenz einstellen. Dies kann hilfreich sein, wenn Sie die Antenne für den bestmöglichen Empfang anpassen und einen bestimmten Sender manuell suchen, um die Senderliste zu aktualisieren.

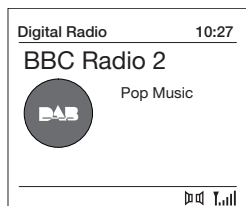
Für manuellen Suchlauf, drücken Sie Menü > „Man. einstellen“ und nutzen anschließend „Auswählen“, um bestimmte Kanäle/Frequenzen anzuzeigen; drücken Sie „Auswählen“, um zum ausgewählten Kanal/Frequenz einzustellen.

Auf dem Display wird in Echtzeit die empfangene Signalstärke der ausgewählten Frequenz angezeigt.

Anpassungen der Antennenausrichtung werden in der angezeigten empfangenen Signalstärke widerspiegelt.

Hinweis: Die Unterteilung in der Anzeige der Signalstärke gibt den Schwellenwert für die Audioqualität an.

Wenn ein Kanal/eine Frequenz ausgewählt ist, sucht der Elan DAB+ auch nach DAB-Sendern auf der ausgewählten Frequenz und aktualisiert die Senderliste mit allen neu gefundenen Sendern. Um gefundene Sender anzuhören, kehren Sie zum Bildschirm „Aktuelle Wiedergabe“ zurück und wählen Sie den gewünschten Sender wie gewohnt aus der Senderliste aus.



### **Wiedergabeinformationen**

Während der Wiedergabe eines Senders werden auf dem Bildschirm der Name und die vom Sender gesendeten DLS-Informationen (Dynamic Label Segment) angezeigt, z.B. Programmname, Titel und Kontaktdaten.

#### **Diashow**

Der normale „Aktuelle Wiedergabe“-Bildschirm zeigt eine Miniaturansicht des aktuell verfügbaren Diashow-Bildes. (Wenn kein Diashow-Bild verfügbar ist, wird ein Standard-DAB-Miniaturbild angezeigt.)

Um weitere Informationen anzuzeigen, drücken Sie „Info“.

Bei jedem Drücken des „Info“-Knopfs, wechseln Sie durch folgende Ansichten: DLS Text, DLS + Informationen (nur wenn vom Sender übertragen), Programmtyp, Name, Kanalnummer/Frequenz, Signalstärke, Bitrate, Strom-Status und Datum.

### **Andere Einstellungen**

Komprimierung des Dynamikumfangs (Dynamic Range Compression, DRC)

Diese Funktion reduziert den Unterschied zwischen den lautesten und leisesten Tönen, die übertragen werden. Dadurch werden leise Töne vergleichsweise lauter und laute Töne vergleichsweise leiser.

Wählen Sie „Menü“ > „DRC“ > Folgende Optionen stehen zur Verfügung: „DRC hoch | tief | aus“ .

## UKW

Um in den UKW-Modus zu gelangen, drücken Sie „Quelle“, bis auf der.

### Sender auswählen

Wenn Sie das UKW-Radio zum ersten Mal auswählen, wird der Elan DAB+ auf die niedrigste Frequenz im UKW-Bereich eingestellt. Bei nachfolgenden Auswahlen wird die zuletzt verwendete Frequenz/Station angezeigt.

Um nach einem UKW-Sender zu suchen, halten Sie „Zurück“- oder „Vorwärts Überspringen“ gedrückt. Der Elan DAB+ durchsucht den UKW-Bereich und zeigt die aktuelle Frequenz auf dem Bildschirm an.

Alternativ können Sie mit der Taste „Vorwärts überspringen“ in 50-kHz-Schritten vorgehen.



### Wiedergabeinformationen

Bei der Wiedergabe von UKW-Sendern werden auf dem Bildschirm die Frequenz oder, falls RDS-Informationen verfügbar sind, der Sendername und weitere Radiotext-Informationen angezeigt. Wenn keine Informationen verfügbar sind, werden nur die Frequenz und eine „Kein Radiotext“-Nachricht angezeigt.

Um weitere Informationen zur Sendung anzuzeigen, drücken Sie „Info“. Jedes Mal, wenn Sie „Info“ drücken, werden die nächsten Informationen in der folgenden Reihenfolge angezeigt:

- RDS-Radio-Textprogrammtyp
- Frequenz
- Mono/stereo
- Leistungsstatus
- Datum

### Einstellungen

#### Suchlauf-Einstellungen

Standardmäßig stoppt der UKW-Suchlauf nur bei Sendern mit einer guten Signalstärke. Um die Einstellung so zu ändern, dass bei allen Sendern gestoppt wird, wählen Sie „Menü“ > „Suchlauf-Einstellung“ > „Alle Sender“. So werden auch schwächere Sender inkludiert.

#### Audioeinstellungen

Standardmäßig werden alle Stereo-Sender in Stereo wiedergegeben. Dies kann bei schwachem Empfang zu schlechterer Wiedergabequalität führen. Die Wiedergabequalität kann durch Umstellung auf Mono erhöht werden.

Optionen: Stereo erlaubt | Immer Mono zur Wiedergabe schwacher Sender in Mono

Wählen Sie „Menü“ > „Audio-Einstellung“ > „Nur Mono“.

## Bluetooth

So rufen Sie den Bluetooth-Modus auf: Drücken Sie „Quelle“, um den Bluetooth-Modus auszuwählen und ein Bluetooth-fähiges Gerät zu verbinden.

### BT Pairing

Koppeln Sie Ihr Bluetooth-fähiges Smart-Gerät, um eine Verbindung mit dem Elan DAB+ herzustellen.

### Anzeigeinformation

Das Display zeigt entweder „getrennt“ oder „Connected“, je nachdem ob eine Bluetooth-Verbindung besteht.

## Snooze and Sleep-Timer

Neben einer Uhr und einem Kalender gibt es zwei vielseitige Weckalarne mit Schlummerfunktion und eine Sleep-Funktion, mit der das Gerät nach einer festgelegten Zeit ausgeschaltet werden kann. Als Alarmton kann einen Summen oder eine Auswahl aus den Audioquellen verwendet werden.

### Uhr/Kalender einstellen

Die Einstellungen für die interne Uhr und die Einstellungen für Alarm, Schlummern und Sleep sind über das Menü „Sys. einstell.“ zugänglich.

### Wecker einstellen

Hinweis: Alarmer funktionieren nur, wenn der Elan DAB+ eingeschaltet ist oder sich im Standby-Modus befindet. Ein aktiver Alarm wird durch ein Symbol in der unteren Zeile der Anzeige dargestellt.

Drücken Sie „Menü“, wechseln Sie zu den Systemeinstellungen und wählen Sie „Wecker“, dann den gewünschten Wecker 1 oder 2 aus.

Um die Alarmerinstellungen zu verlassen, drücken Sie „Menü“ oder „Zurück“ (alternativ kehrt die Alarm-Anzeige nach kurzer Zeit automatisch zum Bildschirm „Aktuelle Wiedergabe“ zurück).

Die Alarm-Einstellung fordert Sie zur Eingabe der folgenden Angaben auf. Wählen Sie einen Wert für jeden Parameter aus, indem Sie die Auswahl Taste drehen und zur Bestätigung „Auswahl“ drücken, um mit dem nächsten Parameter fortzufahren.

#### Parameter

Wecker – Aus | An

Frequenz – Täglich | Einmal | Wochenende | Wochentags

Wählen Sie die Tage aus, an denen der Alarm aktiv ist.

Hinweis: Wenn „Einmal“ wählen, werden Sie aufgefordert, das gewünschte Datum anzugeben. Pünktlich – Stunden und Minuten

Weckzeit – Stunden und Minuten

Quelle – Summen | Digital Radio | UKW

Wenn DAB oder UKW als Audioquelle ausgewählt sind, wird eine Senderliste angezeigt, die erlaubt einen Sender auszuwählen.

Dauer – 15 | 30 | 45 | 60 | 90 | 120 Minuten

Wenn der Alarm nicht gelöscht wird, kehrt M1 nach dieser Zeit in den Standby-Modus zurück.

Lautstärke – Drehen Sie die obere Steuertaste, um die erforderliche Alarmlautstärke einzustellen.

Dies ist die Lautstärke, auf die sich der Alarm steigert. (Der Alarm ertönt zunächst mit geringer Lautstärke und steigert sich allmählich eingestellte Lautstärke).

In allen Hörmodi werden aktive Alarmer angezeigt, indem die entsprechenden Symbole für Alarm 1 und/oder Alarm 2 angezeigt werden.

Zur eingestellten Zeit ertönt der Alarm zunächst leise und baut sich dann allmählich auf die eingestellte Lautstärke auf. Wenn ein Alarm ertönt, blinkt das angezeigte Symbol.

Um einen Alarm abubrechen und das Radio in den Standby-Modus zu schalten, drücken Sie „Standby“.

### Snooze

Um den Alarm temporär stummzuschalten, drücken Sie „Auswählen“.

Sie können den Schlummer-Zeitraum durch wiederholtes Drücken von „Auswählen“ einstellen. Verfügbare Schlummer-Zeiträume sind 5, 10, 15 und 30 Minuten.

Mit „Schlummern“ kehrt der Radio für den festgelegten Zeitraum in den Standby-Modus zurück und ein Countdown wird angezeigt. Wenn der Countdown 0 (Null) erreicht, wird der Alarm erneut ausgelöst.

Halten Sie „Auswählen“ gedrückt, um den Alarm auszustellen und das Radio in den Standby-Modus zu versetzen.



## Sleep-Timer

Um den Sleep-Timer einzustellen während das Radio spielt, drücken Sie „Menü“ > „Sys. einstell.“ > „Sleep“. Sie können für die Sleep-Dauer aus folgenden Optionen (in Minuten wählen): Sleep Aus | 15 | 30 | 45 | 60 | 90.

Verwenden Sie die Auswahltaste, um durch die Optionen zu blättern (oder wählen Sie wiederholt „Sleep“), und drücken Sie dann „Auswahl“, um die angezeigte Option auszuwählen.

Sobald Sie eine Zeit für den Sleep-Timer ausgewählt haben, kehrt die Anzeige zum Bildschirm „Aktuelle Wiedergabe“ zurück, auf dem ein Halbmond-Symbol und die verbleibende Zeit in Minuten angezeigt werden.

Nach Ablauf des Sleep-Timers wechselt der Radio in den Standby-Modus.

## Sys. einstell.

In den Sys. einstell. können Sie den Elan DAB+ über eine Vielzahl an Optionen an Ihre Bedürfnisse anpassen. Um in einem beliebigen Modus auf die Sys. einstell. zuzugreifen, wählen Sie „Menü“ > „Sys. einstell.“ > und dann wie unten beschrieben aus den verschiedenen Optionen im Menü.

Folgende Optionen finden sich im System Einstellungsmenü:

- Sleep-Timer
- Alarm
- Equalizer
- Uhrzeit/Datum
- Hintergrundbeleuchtung
- Sprache
- Werkseinstellungen
- Software-Aktualisierung
- Software-Version

Zur Navigation durch die Menüs.

Die folgenden Bedienelemente werden genutzt, um sich im Menü zu bewegen und die erforderlichen Einstellungen auszuwählen:

Auswählen – (Drücken der Taste „Auswählen“) Hiermit wird die aktuell angezeigte Option ausgewählt. Wenn die Option ein weiteres Untermenü enthält, wird die erste Option des Untermenüs angezeigt. Wenn es sich bei der Option um einen Einstellungswert handelt, wird der angezeigte Wert ausgewählt und entweder die nächste Einstellung hervorgehoben, oder, wenn keine weiteren Einstellungen vorhanden sind, zum übergeordneten Menü für diese Einstellung zurückgekehrt.

Taste „Auswählen“ – wechselt vorwärts und rückwärts durch das aktuelle Menü oder die Einstellungsoptionen.

„Zurück“ – springt zurück zum übergeordneten Menü des aktuell angezeigten Menüs oder der aktuell angezeigten Einstellung. „

Menü“, um zum Bildschirm „Aktuelle Wiedergabe“ zurückzukehren.

## **Equalizer**

Hier finden Sie die Option „Mein Equalizer“, mit der Sie Ihre eigenen Equalizer-Einstellungen vornehmen können.

Normal  
Klassik  
Jazz  
Pop  
Rock  
Rede  
Mein EQ

## **Meine EQ-Einrichtung**

Mit dieser Option können Sie Ihre Vorliebe für die Höhen- und Bass-Audiofrequenzen einstellen und „Loudness“ ein- oder ausschalten. Die Werte können zwischen -5 (Minus 5) und +5 (plus 5) eingestellt werden.

Höhen – (Verwenden Sie die Taste „Auswahl“, um einen Wert zwischen -5 und +5 auszuwählen.)

Bass – (Verwenden Sie die Taste „Auswahl“, um einen Wert zwischen -5 und +5 auszuwählen.)

Lautstärke – Nein oder Ja. (Bei „Ja“, werden Hoch- und Niederfrequenzöne mit niedrigem Pegel verstärkt, um einen „volleren“ Klang zu erzielen.)

## **Uhrzeit/Datum**

Uhrzeit und Datum können manuell oder automatisch aktualisiert werden. Bei der autom. Aktualisierung werden Uhrzeit und Datum automatisch mit nationalen Zeitsignalen synchronisiert, die über DAB und UKW gesendet werden (sofern verfügbar).

Im Menü „Uhrzeit“ finden Sie die folgenden Optionen:

Uhrzeit/Datum einstellen – (siehe unten)  
Automatische Aktualisierung – Beliebige Aktualisierung | Aktualisierung über Digitalradio | Aktualisierung über UKW | Keine Aktualisierung  
12/24 Stunden einstellen – 12 | 24  
Datumsformat einstellen – TT-MM-JJJJ | MM-TT-JJJJ

## **Uhrzeit / Datum einstellen**

Mit dieser Option können Uhrzeit und Datum manuell eingestellt werden. Die Uhrzeit wird als hh:mm angezeigt, wobei der erste Wert (hh) aktiv ist (blinkend). Stellen Sie jeden Wert mit der Auswahl Taste ein und drücken Sie zur Bestätigung „Auswahl“. Dann wird der nächste Wert aktiv und blinkt. Die Datumswerte werden auf dieselbe Weise eingestellt.

Hinweis: Das Datum wird je nach gewähltem Datumsformat als **TT-MM-JJJJ** oder **MM-TT-JJJJ** angezeigt (siehe oben).

## **Hintergrundbeleuchtung**

Das Elan DAB+ verfügt über eine Hintergrundbeleuchtung mit drei Helligkeitseinstellungen und einer einstellbaren Zeitüberschreitung (die Zeitverzögerung in Sekunden, nach der das Display auf die Dimmstufe umschaltet).

Es gibt drei Einstellungen:

Zeitabschaltung – Ein | 10 | 20 | 30 | 45 | 60 | 90 | 120 | 180 Sec.  
An-Einstellung – Hoch | Mittel | Niedrig  
Dim-Einstellung – Hoch | Mittel | Niedrig

## **Sprache**

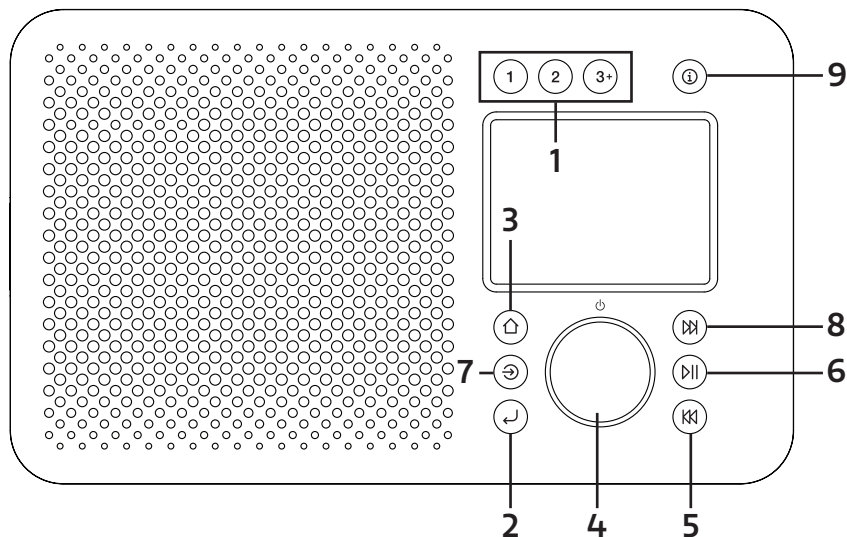
Die Standardsprache ist Englisch. Um die Sprache zu ändern, wählen Sie „Menu“ > „System Setting“ > „Language“. Wählen Sie dann Ihre Sprache aus.

## **Zurücksetzen auf Werkseinstellungen**

Beim Zurücksetzen auf die Werkseinstellungen werden alle benutzerdefinierten Einstellungen gelöscht und durch die ursprünglichen Standardwerte ersetzt, sodass Uhrzeit/Datum, Einstellungen und die Liste der DAB-Sender verloren gehen.

Wenn Sie Zurücksetzen auf die Werkseinstellungen auswählen, werden Sie aufgefordert, dies durch die Auswahl von „Ja“ zu bestätigen. 7 Fehlerbehebung und Fehlermeldungen.

# Contrôles



## 1. PRÉRÉGLAGE

Appuyez longuement sur le bouton 1, ou 2 pour enregistrer votre station préférée.  
Appuyez brièvement sur le bouton 1 ou 2 pour rappeler l'un ou l'autre des préréglages.  
Vous pouvez enregistrer jusqu'à 20 stations dans la liste préréglée en appuyant longuement sur le bouton 3+.  
Pour rappeler des stations de la liste préétablie, appuyez sur 3+.

## 2. RETOUR

Appuyez sur Retour pour revenir à l'écran précédent.

## 3. MENU

Appuyez sur le menu pour afficher le menu du mode actuel. Appuyez à nouveau pour afficher l'écran « lecture en cours ».

## 4. SELECT/ VOLUME/MUTE/SNOOZE:

### A. Alim

Appuyez sur pour allumer.  
Longue pression pour éteindre la radio

### B. Volume

Tournez le bouton de défilement pour augmenter ou diminuer le volume pendant la lecture.

### C. Muet

Appuyez sur le bouton de défilement pour couper le son de la musique pendant la lecture.

### D. Sélect

Tournez le bouton pour faire défiler un menu ou une liste de stations. Appuyez sur le bouton pour sélectionner l'option choisie.

### E. Snooze

Appuyez sur le bouton pour faire un petit somme lorsque l'alarme se déclenche.

## 5. PRECEDENT

Bluetooth: Appuyez sur pour sélectionner la piste précédente.  
FM: Appuyez sur cette touche pour régler la fréquence par incréments.  
Appuyez longuement pour rechercher la station précédente.

## 6. LECTURE/PAUSE

Appuyez pour sélectionner Lecture/Pause en mode BT.

## 7. SOURCE

Appuyez sur Source pour sélectionner différents modes DAB, FM, Bluetooth.

## 8. SAUTER EN AVANT / STATIONS

Bluetooth: Appuyez sur pour sélectionner la piste suivante.  
DAB: Appuyez sur pour accéder à la liste des stations.  
FM: Appuyez sur pour ajuster la fréquence par incréments.  
Appuyez longuement pour rechercher la station suivante.

## 9. INFO

Pour obtenir plus d'informations sur la station ou la piste en cours de diffusion. Appuyez à nouveau sur cette touche pour continue

## Affichage

L'écran affiche différents menus, dialogues et affichages comme décrit ci-dessous.

Il existe essentiellement six types d'écran:

- Veille (horloge)
- Splash (mode)
- En cours de lecture
- Dialogue
- Information
- Menu

L'écran de veille indique l'heure, la date et toute heure d'alarme active.

Les écrans de lecture affichent des informations sur la source audio et la piste en cours de lecture, lorsqu'elles sont disponibles.

Des écrans de dialogue sont affichés pour permettre à l'utilisateur de modifier les paramètres.

Les écrans d'information donnent des messages spécifiques pendant quelques secondes, puis passent automatiquement à un autre écran.

## Menus

<b>Digital Radio</b>	<b>10:27</b>	<b>Configuration</b>	<b>10:27</b>
Liste de stat.	>	Mode sommeil	>
Recherche total.	>	Réveils	>
Réglage manuel	>	Égaliseur	>
Ecrêter	>	Heure	>
DRC	>	Rétroéclairé	>
Configuration	>	Langue	>
		Régl. en usine	>
		MAJ logiciel	>
		Version logiciel	>

Elan DAB+ propose essentiellement trois types de menus. Utilisez le bouton Select pour vous déplacer et sélectionner les options.

Chaque source dispose d'un menu source, avec des options spécifiques à ce mode. Voir ci-dessus pour le menu de la radio numérique un exemple.

System settings >

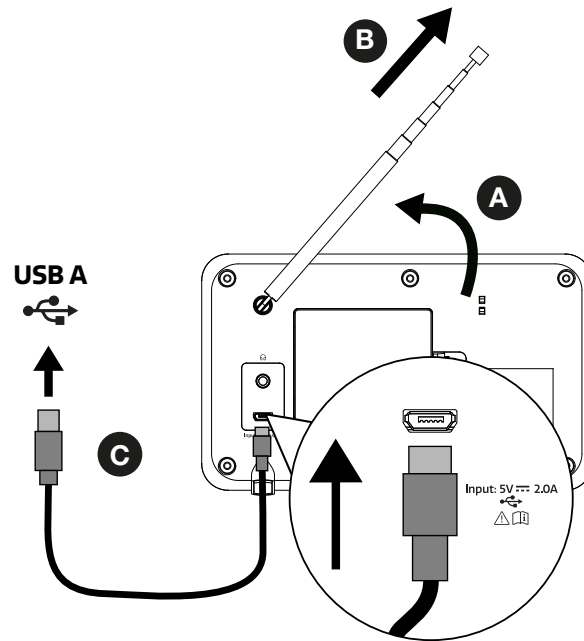
Le ">" indique les options menant à d'autres menus.

Le menu Paramètres du système permet d'accéder aux paramètres du système et à des informations telles que l'heure/la date, la langue et la mise à jour du logiciel.

Les menus comportant plus d'options qu'il n'y en a sur un écran ont un ">" sur la droite. Certains menus, par exemple le menu "Paramètres système", comportent plusieurs sous-menus.

## Démarrage et configuration

Elan DAB+ est facile à utiliser. Pour écouter la radio DAB ou FM, il vous suffit d'une source d'alimentation USB;



- A. Placez Elan DAB+ sur une étagère ou une table adaptées.
- B. Déployez l'antenne télescopique.
- C. Branchez l'adaptateur secteur entre Elan DAB+ et l'alimentation secteur\*.

\*Non inclus

## Heure/date

L'heure et la date peuvent être mises à jour manuellement ou automatiquement.

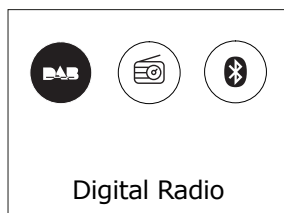
### Auto

La mise à jour automatique fonctionne avec les données envoyées via DAB, FM. L'horloge n'est mise à jour que lorsqu'elle est dans un mode correspondant, il est donc préférable de sélectionner un mode que vous utilisez régulièrement.

### Réglage Manual

Si vous choisissez « Pas de mise à jour », l'assistant vous invite maintenant à définir l'heure et la date manuellement. La date est affichée au format JJ-MM-AAAA et MM-JJ-AAAA

## Sources



### DAB

Pour entrer en mode DAB, appuyez sur Mode jusqu'à ce que l'écran affiche Radio DAB.

### Recherche de stations

La première fois que vous utilisez Elan DAB+, ou si la liste des stations est vide, la radio effectue automatiquement un balayage complet pour voir quelles stations sont disponibles:

De nouvelles stations peuvent être disponibles de temps en temps. Si la réception n'était pas bonne lors du balayage initial (par exemple, l'antenne n'était pas en place), la liste des stations disponibles peut être vide ou incomplète. Si vous avez une mauvaise réception de certaines stations entraînant une rupture du son, vous pouvez ne répertorier que les stations.

Pour effectuer un balayage complet, sélectionnez Menu > Balayage complet.

Une fois le balayage terminé, la radio reprend la diffusion de la station précédemment sélectionnée ou de la première station de la liste des stations.

Pour supprimer les stations qui sont répertoriées mais non disponibles, sélectionnez Menu > Prune Invalid.

### Réglage manuel

Outre la méthode normale de balayage, vous pouvez également syntoniser manuellement une chaîne ou une fréquence particulière. Cela peut être utile pour régler votre antenne afin d'obtenir la meilleure réception possible et pour balayer un canal particulier afin de mettre à jour la liste des stations.

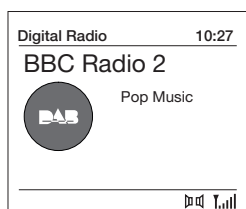
Pour régler manuellement, appuyez sur Menu > Réglage manuel, puis utilisez le bouton de commande de sélection pour afficher une chaîne/ fréquence particulière, appuyez sur Sélectionner pour régler cette chaîne/ fréquence.

L'écran affiche une indication en direct de la puissance du signal reçu sur la fréquence sélectionnée.

Les réglages de votre antenne se traduiront par l'affichage de la puissance du signal reçu.

Remarque : La division dans la barre de puissance du signal indique le seuil de qualité audio - si la puissance du signal, comme indiqué par les rectangles pleins, tombe en dessous de ce seuil, la qualité audio se détériorera.

Lorsqu'un canal/fréquence est sélectionné, Elan DAB+ recherche également toutes les stations DAB sur la fréquence sélectionnée et met à jour la liste des stations avec toutes les nouvelles stations trouvées. Pour écouter les stations trouvées, retournez à la page En cours de lecture



### Informations sur la lecture en cours

Lorsqu'une station est en cours de diffusion, l'écran affiche son nom et les informations DLS (Dynamic Label Segment) diffusées par la station, telles que le nom du programme, le titre de la piste et les coordonnées de contact.

#### Diaporama

L'écran normal de lecture montre une miniature de l'image du diaporama actuellement disponible. (Si aucune image de diaporama n'est disponible, une image miniature DAB par défaut est affichée). Une longue pression sur le bouton "Info" fait défiler les diaporamas suivants

- 1) Image du diaporama et texte DLS diffusés par la station actuelle.
- 2) Diaporama plein écran
- 3) Écran de jeu normal.

Pour afficher plus d'informations, appuyez sur Info

Chaque fois que vous appuyez sur Info, la série d'informations suivante s'affiche, en passant en boucle : le texte DLS, les informations DL Plus (qui ne s'affichent que si elles sont diffusées par la station), le type de programme, le nom de l'ensemble, le numéro de chaîne/fréquence, la puissance du signal, le débit binaire, l'état de la puissance et la date.

### Autres réglages

#### Compresseur Audio (DRC)

Cette fonction réduit la différence entre le son le plus fort et le plus faible qui est diffusé, ce qui rend les sons faibles comparativement plus forts et les sons forts plus faibles.

Sélectionnez Menu > RDC > Les options disponibles sont : DRC haut | bas | désactivé.

## FM

Pour entrer en mode FM : Appuyez sur la touche Mode jusqu'à ce que l'écran affiche le mode FM.

### Selecting stations

La première fois que vous sélectionnez une radio FM, Elan DAB+ est réglé sur la fréquence la plus basse de la bande FM. Lors des sélections suivantes, la dernière fréquence/station utilisée est affichée.

Pour rechercher une station en mode FM, appuyez et maintenez enfoncée la touche "saut vers l'avant" ou "saut vers l'arrière". Elan DAB+ balaye les fréquences de la bande FM, en affichant la fréquence actuelle sur l'écran.

Alternativement, vous pouvez choisir via le bouton de commande de sélection de procéder par plages de 50 kHz.



### Informations sur la lecture en cours

Pendant la diffusion de la radio FM, l'écran affiche sa fréquence ou, si des informations RDS sont disponibles, le nom de la station et toute autre information de RadioText. Si aucune information n'est disponible, l'écran affiche uniquement la fréquence et un message "No RadioText".

Pour plus d'informations sur l'émission, cliquez sur Info. Chaque fois que vous appuyez sur Info, la série d'informations suivante s'affiche, en boucle :

- RDS Radio type de programme texte
- Fréquence
- Mono/stéréo
- Etat de l'alimentation
- Date

### Paramètres

Paramètres de balayage

Par défaut, les balayages FM ne s'arrêtent qu'aux stations dont le signal est de bonne puissance. Pour modifier les paramètres de balayage, pour s'arrêter à toutes les stations, sélectionnez "Menu > Paramètres de balayage > Toutes les stations". Cela peut inclure une mauvaise qualité audio de la part de stations faibles.

Paramètres audio

Par défaut, toutes les stations stéréo sont reproduites en stéréo. Pour les stations faibles, cela peut entraîner une mauvaise qualité audio. La qualité audio peut être améliorée en utilisant la mono.

Options: Stéréo autorisée | Mono forcé

Pour lire les stations faibles en mono, sélectionnez Menu > Paramètres audio > Mono forcé.

## Bluetooth

Pour entrer en mode Bluetooth: Appuyez sur la source pour choisir le mode Bluetooth.

### BT Couplage

Pour connecter un appareil compatible Bluetooth, utilisez votre appareil intelligent compatible Bluetooth pour le couplage et la connexion avec Elan DAB+.

### Afficher les informations

L'écran affiche soit Bluetooth déconnecté, soit Bluetooth connecté, selon l'état de la connexion.

## Répétition d'alarme et veille

Outre une horloge/calendrier, il existe deux alarmes de réveil polyvalentes avec fonction de répétition et une fonction de veille pour éteindre le système après une période déterminée. La sonnerie de chaque alarme peut utiliser un buzzer ou une station de radio numérique ou FM.

### Régler l'horloge/le calendrier

Les réglages de l'horloge interne et les fonctions Alarme, Réveil et Sommeil sont tous accessibles via le menu Réglage des systèmes.

### Pour déclencher les alarmes

Remarque : les alarmes ne fonctionnent que lorsque l'unité Elan DAB+ est en marche ou en mode veille. Une alarme active est indiquée par son icône dans la ligne inférieure de l'écran.

Appuyez sur la touche Menu puis utilisez le bouton de commande Sélection pour sélectionner Paramètres du système - Alarme, puis sélectionnez l'alarme 1 ou 2 requise.

Pour quitter le mode de réglage de l'alarme, appuyez sur Menu ou Back (alternativement, l'affichage de l'alarme s'arrêtera et reviendra automatiquement à l'écran Now Playing après un court laps de temps).

La configuration de l'alarme vous demande de saisir les paramètres suivants. Sélectionnez une valeur pour chaque paramètre à tour de rôle en tournant le bouton de commande de sélection et appuyez sur Sélectionner pour confirmer et passer au paramètre suivant.

#### Paramètres

Alarme – Arrêt | Marche

Fréquence – Quotidienne | Une seule fois | Le week-end | En semaine

Choisissez les jours où l'alarme est active.

Remarque: si vous choisissez "Une seule fois", vous êtes invité à saisir la date requise.

L'heure du réveil – heures et minutes

Source – Sonnerie | DAB | FM

Si la DAB ou la FM est choisie comme source audio, un menu de pré-réglage s'affiche et vous permet de sélectionner la station.

Durée – 15 | 30 | 45 | 60 | 90 | 120 minutes

Si l'alarme n'est pas annulée, Elan DAB+ se remet en veille après ce délai.

Volume – tournez le bouton de commande supérieur pour régler le volume d'alarme requis.

C'est le volume que l'alarme atteindra. (Au début, l'alarme sonne à un faible volume et devient progressivement plus forte jusqu'au volume réglé).

Dans tous les modes d'écoute, les alarmes actives sont indiquées par l'affichage des icônes Alarme 1 et/ou Alarme 2 correspondantes.

À l'heure programmée, l'alarme se déclenche, d'abord silencieusement, puis progressivement jusqu'au volume programmé. Lorsqu'une alarme retentit, l'icône de l'écran clignote.

Pour annuler une alarme sonore et mettre la radio en veille prolongée, appuyez sur le bouton Select.

### Répétition (Snooze)

Pour faire taire temporairement une alarme sonore, appuyez brièvement sur le bouton Select.

Vous pouvez modifier la période de répétition en appuyant plusieurs fois sur le bouton de sélection. Les périodes de répétition sont de 5, 10, 15 et 30 minutes.

La radio se remet en veille pour la période de temps définie avec un compte à rebours de répétition affiché. Lorsque le compte à rebours atteint 0 (zéro), l'alarme se déclenche à nouveau.

Appuyez longuement sur le bouton "Select," pour annuler complètement une alarme sonore et mettre la radio en veille.



## Veille

Pour régler la minuterie de sommeil pendant la diffusion de la radio, utilisez le bouton de commande pour sélectionner Menu - Paramètres système - Sommeil. Vous pouvez choisir le délai de mise en veille en minutes à partir de:  
Pas de veille | 15 | 30 | 45 | 60 | 90.

Utilisez le bouton de contrôle de sélection pour faire défiler les options puis appuyez sur Sélectionner pour choisir l'option affichée.

Une fois que vous avez sélectionné une période de retard de sommeil, l'affichage revient à l'écran "Now playing" qui affiche une icône de croissant de lune et le temps restant, en minutes, avant l'expiration du temps de sommeil.

Après le délai de mise en veille, la radio passe en mode veille.

## Paramètres système

Les paramètres du système vous permettent d'adapter Elan DAB+ avec une variété d'options qui vous conviennent. Pour accéder aux paramètres du système à partir de n'importe quel mode, sélectionnez Menu > Paramètres du système >, puis choisissez parmi les différentes options décrites dans le menu ci-dessous.

Les options du menu de paramétrage du système sont les suivantes:

- Veille
- Alarme
- Égaliseur
- Heure/Date
- Rétroéclairage
- Langue
- Restauration des paramètres d'usine
- Mise à jour du logiciel
- Version du logiciel

Pour naviguer dans les menus

Les commandes suivantes permettent de se déplacer dans l'arborescence du menu pour choisir et sélectionner les paramètres requis :

Select - (en appuyant sur le bouton de contrôle Select) : ceci sélectionne l'option actuellement affichée, si l'option a un autre sous-menu, la première option du sous-menu est affichée. Si l'option est une valeur de réglage, la valeur affichée est sélectionnée et soit le réglage suivant est mis en évidence, soit, s'il n'y a pas d'autres réglages, l'affichage revient au menu parent pour ce réglage.

Bouton de sélection - permet d'avancer et de reculer dans le menu ou les options de réglage en cours.

Retour - permet de revenir au menu parent du menu ou du paramètre actuellement affiché.

Menu pour revenir à l'écran lecture en cours.

### Égaliseur

L'option Mon égaliseur vous permet de créer vos propres paramètres d'égaliseur

- Normal
- Classique
- Jazz
- Pop
- Rock
- Voix
- My EQ

## Ma configuration d'égaliseur

Cette option vous permet de définir un biais dans les fréquences audio des aigus et des basses et d'activer ou de désactiver le "Loudness". Les valeurs peuvent être définies entre -5 (moins 5) et +5 (plus 5).

Treble – (Utilisez le bouton de contrôle de sélection pour choisir une valeur de biais entre -5 et +5)

Basses – (Utilisez le bouton de contrôle de sélection pour choisir une valeur de biais entre -5 et +5)

Volume – Non ou Oui (lorsque Oui, les sons de basses et hautes fréquences sont amplifiés pour donner un son plus "plein").

## Heure/Date

L'heure et la date peuvent être mises à jour manuellement ou automatiquement. Grâce à la mise à jour automatique, l'heure et la date sont automatiquement diffusées en DAB et en FM (lorsqu'elles sont disponibles).

Vous pouvez également sélectionner le format d'affichage de l'heure et de la date.

Le menu Heure contient les options suivantes :

Régler l'heure/la date – (voir ci-dessous)

Mise à jour automatique – Toutes mises à jour | Mise à jour depuis la DAB |

Mise à jour depuis la FM | Pas de mise à jour

Réglage format 12/24 heures – 12 | 24

Définir le format de la date – JJ-MM-AAAA | MM-JJ-AAAA.

## Régler l'heure/la date

Cette option permet de régler manuellement l'heure et la date affichées.

La date s'affiche sous la forme **JJ-MM-AAAA** ou **MM-JJ-AAAA** selon le format de date choisi (voir ci-dessus).

Ajustez chaque valeur à l'aide du bouton de commande de sélection et appuyez sur Sélectionner pour confirmer. La valeur suivante devient alors active et clignote. Les valeurs de temps suivent et sont réglées de la même manière.

L'heure s'affiche en **hh:mm**, la première valeur, **hh**, étant active (clignotante).

## Rétroéclairage

L'Elan DAB+ a un rétro-éclairage avec trois réglages de luminosité, et un délai d'attente réglable (c'est le délai, en secondes, après lequel l'écran passe au niveau Dim).

Il y a trois réglages:

Délai d'extinction- Lumière allumée | 10 | 20 | 30 | 45 | 60 | 90 | 120 | 180 sec

Niveau marche – Élevé | Moyen | Faible

Niveau faible – Élevé | Moyen | Faible

## Langue

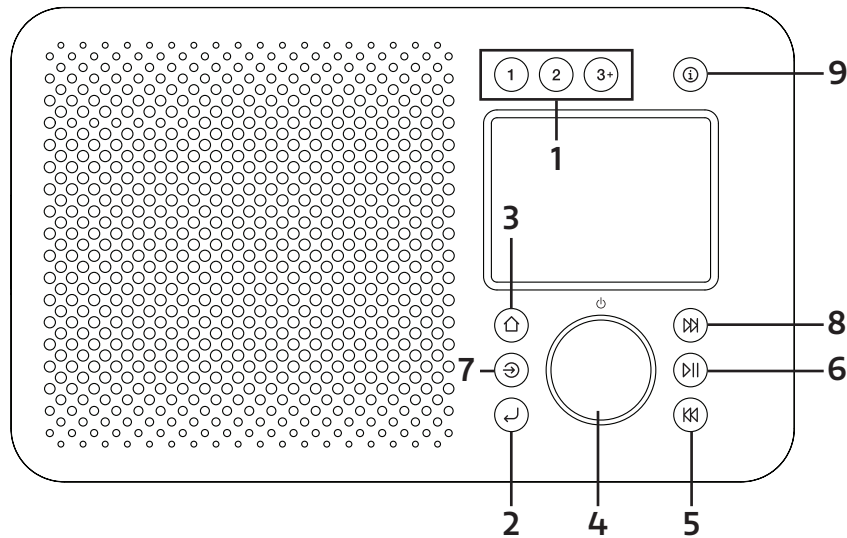
La langue par défaut est l'anglais. Pour changer, sélectionnez Menu > System settings > Language > puis sélectionnez votre langue.

## Restauration des paramètres d'usine

A factory reset clears all user defined settings, replacing them with the original default values, so time/date/preferences/ settings and DAB station list are all lost.

If you select Factory reset, you are asked to confirm by selecting "Yes".

## Controlli



### 1. PRESETS

Premere a lungo il tasto 1, o 2 per salvare la vostra stazione preferita.  
 Premere brevemente il tasto 1 o 2 per richiamare una delle due preimpostazioni.  
 Premendo a lungo il tasto 3+ si possono salvare fino a 20 stazioni nella lista di preselezione.  
 Per richiamare le stazioni dalla lista delle preselezioni, premere 3+.

### 2. INDIETRO

Premere INDIETRO per tornare alla schermata precedente

### 3. MENÙ

Premere per accedere al menu della sorgente corrente. Premere nuovamente per uscire dal menu.

### 4. SELEZIONA/VOLUME/MUTO/SILENZIA:

#### A. Power

Premere per accendere.  
 Premere a lungo per spegnere la radio.

#### B. Volume

Ruotare la manopola per regolare il volume in alto o in basso durante la riproduzione.

#### C. Muto

Premere la manopola per disattivare la musica durante la riproduzione.

#### D. Seleziona

Ruotare la manopola per scorrere un menu o una lista di stazioni. Premere la manopola per selezionare l'opzione scelta.

#### E. Posticipare

Premere la manopola per sonnecchiare quando suona l'allarme.

### 5. PRECEDENTE

Bluetooth: Premere per selezionare la traccia precedente.  
 FM: Premere per regolare la frequenza in incrementi.  
 Premere a lungo per la scansione della stazione precedente.

### 6. PLAY/PAUSE

Premere per riprodurre e mettere in pausa durante la riproduzione da Bluetooth.

### 7. SORGENTE

Premere per passare da una sorgente all'altra; DAB, FM e Bluetooth.

### 8. SUCCESSIVO / STAZIONI

Bluetooth: Premere per selezionare il brano successivo.  
 DAB: Premere per accedere all'elenco delle stazioni.  
 FM: Premere per regolare la frequenza in incrementi.  
 Premere a lungo per scansionare la stazione successiva.

### 9. INFORMAZIONI

Visualizzare ulteriori informazioni sulla stazione o sulla riproduzione del brano. Premere di nuovo per passare attraverso ulteriori schermate informative e poi tornare alla normale schermata di riproduzione

## Display

Lo schermo mostra vari menu, dialoghi e visualizzazioni come descritto di seguito.

Esistono fondamentalmente sei tipi di schermo:

- Standby (orologio)
- Splash (modalità)
- In riproduzione
- Dialogo
- Informazione
- Menù

La schermata Standby mostra l'ora, la data e gli eventuali orari di allarme attivi.

Ora le schermate di riproduzione mostrano informazioni sulla sorgente audio e sulla traccia in riproduzione, se disponibili.

Le schermate di dialogo vengono mostrate per consentire all'utente di modificare le impostazioni.

Le schermate informative forniscono messaggi specifici per alcuni secondi, poi passano automaticamente ad un'altra schermata.

## Menus

<b>Digital Radio</b>	<b>10:27</b>	<b>Config. di sis.</b>	<b>10:27</b>
Lista stazioni	>	<b>Sleep</b>	>
Ricerca Complet.	>	Sveglia	>
Sinton. Manuale	>	Equaliser	>
Elimina	>	Ora	>
DRC	>	Retroilluminaz.	>
<b>Config. di sis.</b>	>	Lingua	>
		Ripristino di default	>
		Aggiorn. SW	>
		Versione SW	>

Elan DAB+ ha fondamentalmente tre tipi di menu. Usare la manopola Select per scorrere e selezionare le opzioni.

Ogni sorgente ha un menu sorgente, con opzioni specifiche per quella modalità. Vedi sopra per il menu Radio digitale un esempio.

Config. di sis. >

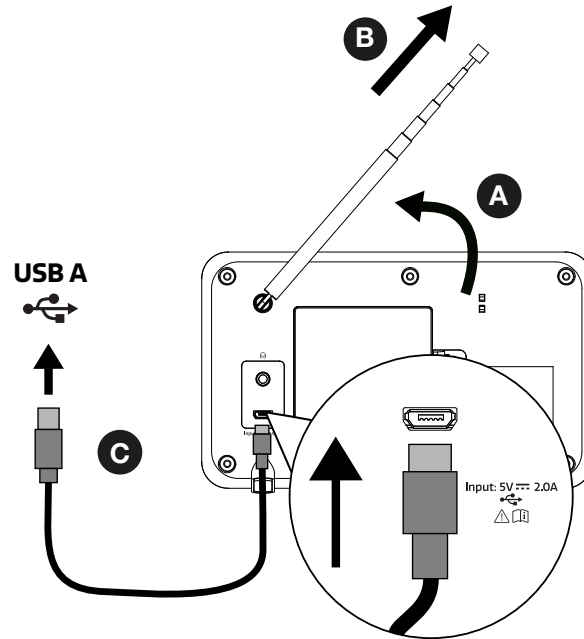
Il '>' indica le opzioni che portano ad altri menu.

Il menu Impostazioni di sistema consente l'accesso alle impostazioni di sistema e alle informazioni quali Ora/ Data, Lingua e Aggiornamento software.

I menu con più opzioni di quelle che si inseriscono in una schermata hanno un ">" sulla destra. Alcuni menu, per esempio il menu Impostazioni di sistema, hanno diversi sottomenu.

## Impostazione

La Elan DAB+ è facile da usare. Per riprodurre la radio DAB o FM, tutto ciò che serve è una fonte di alimentazione USB;



- A. Posizionare la Elan DAB+ su uno scaffale o un tavolo adatto.
- B. Estendere l'antenna telescopica.
- C. Collegare il cavo USB in dotazione tra Elan DAB+ e un adattatore di alimentazione USB\*.

\*Non incluso

## Ora/data

L'ora e la data possono essere aggiornate manualmente o automaticamente.

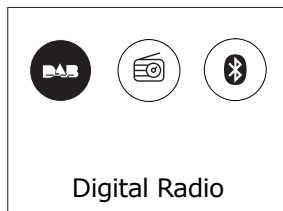
### Automatico

L'aggiornamento automatico funziona con i dati inviati via DAB, FM. L'orologio viene aggiornato solo quando si trova in una modalità corrispondente, quindi è meglio selezionare una modalità che si utilizza regolarmente.

### Manuale

Se si imposta Nessun aggiornamento, la procedura guidata ora richiede di impostare manualmente l'ora e la data. La data viene visualizzata come GG-MM-AAAA e MM-GG-AAAA.

## Sorgente



### Digital Radio

Per entrare in modalità Radio Digitale, premere Sorgente fino a quando il display visualizza Digital Radio.

### Scansione per stazioni

La prima volta che si utilizza Elan DAB+, o se la lista delle stazioni è vuota, la radio esegue automaticamente una scansione completa per vedere quali stazioni sono disponibili. Potrebbe anche essere necessario avviare manualmente una scansione per aggiornare l'elenco delle stazioni per uno dei seguenti motivi:

Di tanto in tanto possono essere disponibili nuove stazioni.

Se la ricezione non era buona per la scansione originale (ad esempio l'antenna non era alzata), questo può portare ad una lista vuota o incompleta delle stazioni disponibili.  
di segnale.

Se avete una scarsa ricezione di alcune stazioni che causano la rottura dell'audio, potreste voler elencare solo le stazioni con una buona potenza

Per eseguire una scansione completa Selezionare Menu > Scansione completa.

Una volta completata la scansione, la radio torna a riprodurre la stazione selezionata in precedenza o la prima stazione della lista delle stazioni.

Per rimuovere le stazioni elencate ma non disponibili Selezionare Menu > Elimina.

### Sintonizzazione manuale

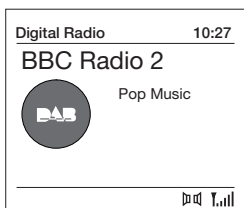
Oltre al normale metodo di scansione, è possibile anche sintonizzarsi manualmente su un determinato canale / frequenza. Questo può essere utile per regolare l'antenna in modo da ottenere la migliore ricezione possibile e scansionare un particolare canale per aggiornare la lista delle stazioni.

Per sintonizzarsi manualmente Premere Menu > Sintonizzazione manuale, quindi usare il tasto di controllo Select per visualizzare un particolare canale/frequenza, premere Select per sintonizzarsi su quel canale/frequenza.

Il display mostra un'indicazione in tempo reale dell'intensità del segnale ricevuto sulla frequenza selezionata. Le regolazioni della vostra antenna si manifesteranno nella potenza del segnale ricevuto visualizzato.

Nota: La divisione nella barra dell'intensità del segnale indica la soglia di qualità audio - se l'intensità del segnale, come indicato dai rettangoli solidi, scende al di sotto di questa soglia la qualità audio si deteriora.

Quando si seleziona un canale/frequenza, Elan DAB+ cerca anche le stazioni DAB sulla frequenza selezionata e aggiorna la lista delle stazioni con le nuove stazioni trovate. Per ascoltare le stazioni trovate, si ritorna a schermata in riproduzione.



### Informazioni Ora in riproduzione

Durante la riproduzione di una stazione, lo schermo mostra il suo nome e le informazioni DLS (Dynamic Label Segment) trasmesse dall'emittente, come il nome del programma, il titolo del brano e i dati di contatto.

#### Presentazione

La normale schermata di riproduzione mostra una miniatura dell'immagine della presentazione attualmente disponibile. (Se non è disponibile un'immagine di slideshow viene visualizzata una miniatura DAB di default). Una lunga pressione del tasto 'Info' fa scorrere le seguenti diapositive.

- 1) Immagine della presentazione e testo DLS trasmessi dalla stazione attuale.
- 2) Slideshow a schermo intero.
- 3) Schermata di riproduzione normale.

Per visualizzare ulteriori informazioni premere Info..

Ogni volta che si preme Info, viene visualizzata la serie di informazioni successiva, passandoci attraverso: Testo DLS, informazioni DL Plus (vengono visualizzate solo se trasmesse dall'emittente), tipo di programma, nome dell'ensemble, numero di canale/frequenza, intensità del segnale, velocità di trasmissione in bit, stato di potenza e data.

## Altre impostazioni

### Compressione gamma dinamic (DRC)

Questa funzione riduce la differenza tra l'audio più forte e quello più silenzioso che viene trasmesso. In effetti, questo rende i suoni silenziosi relativamente più forti e quelli più silenziosi più silenziosi.

Selezionare Menu > DRC > Le opzioni disponibili sono: DRC alto | basso | disattivato

## FM

Per entrare nel modo FM: Premere Mode fino a quando il display visualizza il modo FM.

### Selezione delle stazioni

La prima volta che si seleziona la radio FM, Elan DAB+ viene impostato sulla frequenza più bassa della banda FM. Nelle selezioni successive viene visualizzata l'ultima frequenza/stazione utilizzata.

Per cercare una stazione in modalità FM premere e tenere premuto il tasto di salto in avanti o indietro. Elan DAB+ esegue la scansione attraverso le frequenze della banda FM, mostrando la frequenza corrente sul display.

In alternativa, è possibile premere brevemente il pulsante di salto in avanti o indietro per sintonizzarsi a passi di 50 kHz.



### Informazioni Ora in riproduzione

Durante la riproduzione della radio FM, lo schermo mostra la sua frequenza, o se sono disponibili informazioni RDS, il nome della stazione e qualsiasi altra informazione RadioText'. Se non sono disponibili informazioni, vengono visualizzati solo la frequenza e un messaggio No RadioText.

Per visualizzare ulteriori informazioni sulla trasmissione premere Info. Ogni volta che si preme Info, viene visualizzata la serie di informazioni successiva, passando attraverso:

- Tipo di programma di testo RDS Radio
- Frequenza
- Mono/stereo
- Stato di alimentazione
- Data.

## Impostazioni

### Impostazioni di ricerca

Per impostazione predefinita, le scansioni FM si fermano solo alle stazioni con una buona potenza di segnale. Per modificare le impostazioni di ricerca, per fermarsi a tutte le stazioni selezionare Menu > Impostazione di ricerca > 'Tutte le stazioni'. Questo può includere audio di scarsa qualità da stazioni deboli.

### Impostazioni Audio

Per impostazione predefinita, tutte le stazioni stereo sono riprodotte in stereo. Per le stazioni deboli, ciò può comportare una scarsa qualità audio. La qualità audio può essere migliorata usando il mono.

Opzioni: Ricezione stereo | Solo mono

Per riprodurre le stazioni deboli in mono selezionare il menu > Impostazioni Audio > Solo mono.

## Bluetooth

Per entrare in modalità Bluetooth: Premere source per scegliere il modo Bluetooth.

### BT Pairing

Per collegare un dispositivo compatibile con il Bluetooth. Utilizzare il dispositivo intelligente compatibile con il Bluetooth per accoppiare e connettersi con l'Elan DAB+.

### Visualizzare informazioni

Lo schermo visualizza Bluetooth Disconnesso o Bluetooth Connesso a seconda dello stato di connessione.

## Posticipare sveglia e sleep

Oltre all'orologio/calendario, sono disponibili due versatili allarmi di sveglia con funzione posticipa e una funzione sleep per spegnere il sistema dopo un determinato periodo di tempo. Il suono di allarme per ogni allarme può utilizzare un cicalino o una radio digitale o una stazione FM.

### Per impostare l'orologio/calendario

Le impostazioni per l'orologio interno e l'impostazione di Sveglia, Posticipa e funzione Snooze sono tutte accessibili dal menù Impostazioni di sistema.

### Per impostare gli svegli

Nota: le sveglie funzioneranno solo quando l'unità Elan DAB+ è accesa o in modalità Standby. Un allarme attivo è indicato dalla sua icona nella riga inferiore del display.

Premere Menu e poi usare il tasto di controllo Select per selezionare System Settings - Alarm (Impostazioni di sistema - Allarme) e poi selezionare l'allarme 1 o 2 desiderato.

Per uscire dalla modalità di impostazione della sveglia, premere Menù o Indietro (in alternativa, il display della Sveglia scadrà e tornerà automaticamente alla schermata in riproduzione dopo poco tempo.

L'impostazione della sveglia richiede i parametri riportati di seguito. Selezionare un valore per ciascun parametro a sua volta ruotando il pulsante di controllo selezione e premere Seleziona per confermare e passare al parametro successivo.

#### Parametri

Sveglia - Spento | Acceso

Frequenza - Giornaliera | Una volta | Fine settimana | Giorni della settimana

Scegli i giorni in cui la sveglia è attiva.

Nota: se si sceglie 'Una volta' viene richiesto di inserire la data richiesta.

Puntuale - ore e minuti

Sorgente - Notifica | DAB | FM

Se si sceglie DAB o FM come sorgente audio, verrà richiesto anche di selezionare l'ultima stazione riprodotta.

Durata - 15 | 30 | 45 | 60 | 90 | 120 minuti

Se l'allarme non viene annullato Elan DAB+ torna in standby dopo questo periodo di tempo.

Volume - ruotare il pulsante di comando superiore per impostare il volume di allarme richiesto.

Questo è il volume che la sveglia raggiungerà. (Inizialmente la sveglia suona a basso volume e aumenta gradualmente al volume impostato).

In tutte le modalità di ascolto le sveglie attive sono indicate visualizzando le relative icone Sveglia 1 e/o Sveglia 2.

All'ora impostata, la sveglia suona inizialmente in modo silenzioso, poi aumenta gradualmente fino al volume impostato. Quando suona una sveglia, l'icona sul display lampeggia.

Per annullare un allarme sonoro e mettere la radio in standby premere a lungo il selettore di selezione.



## Posticipare

Per silenziare temporaneamente una sveglia che suona, premere Posticipa.

È possibile modificare il periodo di ripetizione premendo ripetutamente Posticipa. I periodi per posticipare sono di 5, 10, 15 e 30 minuti.

La radio torna in standby per il periodo di tempo impostato visualizzando il conto alla rovescia per la ripetizione successiva. Quando il conto alla rovescia raggiunge 0 (zero), la sveglia viene nuovamente attivata.

Premere a lungo il pulsante 'Select, per annullare completamente una sveglia che suona e portare la radio in standby.

## Sleep

Per impostare il timer di spegnimento mentre la radio è in funzione Premere Sleep. È possibile scegliere il tempo di ritardo di spegnimento in minuti tra: Spegnimento | 15 | 30 | 45 | 60 | 90.

Utilizzare la monopola per scorrere le opzioni (o premere ripetutamente Sleep), quindi premere Seleziona per scegliere l'opzione visualizzata.

Dopo aver selezionato il periodo di ritardo, il display torna alla schermata in riproduzione che mostra un'icona della Luna crescente e il tempo rimanente, in minuti, prima che scada il tempo di spegnimento.

Allo scadere del periodo di ritardo di spegnimento, la radio passa in modalità standby.

## Configurazione del sistema

Le configurazioni di sistema ti consentono di personalizzare la Elan DAB+ con una varietà di opzioni adatte a te. Per accedere alle impostazioni di sistema da qualsiasi modalità Selezionare Menù> Impostazioni di sistema>, quindi scegliere tra le varie opzioni come descritto nel menù come di seguito.

Opzioni del menù di impostazione del sistema sono:

- Sleep
- Sveglia
- Equalizzatore
- Ora/Data
- Retroilluminazione
- Lingua
- Ripristino di default
- Aggiornamento Software
- Versione del Software

Per navigare attraverso i menù

I seguenti comandi vengono utilizzati per spostarsi nella struttura del menù per scegliere e selezionare le impostazioni richieste:

Selezione – (premendo il pulsante di controllo Seleziona) si seleziona l'opzione attualmente visualizzata. Se l'opzione ha un ulteriore sottomenù viene visualizzata la prima opzione del sottomenù. Se l'opzione è un valore di impostazione, viene selezionato il valore visualizzato e viene evidenziata l'impostazione successiva o, se non ci sono altre impostazioni, il display torna al menù principale per quell'impostazione.

Pulsante di controllo Seleziona – consente di spostarsi avanti e indietro nel menù corrente o nelle opzioni di impostazione.

Indietro – consente di tornare al menù principale del menù o dell'impostazione attualmente visualizzati.

Menù per tornare alla schermata In riproduzione.

### Equalizzatore

Questo presenta un'opzione Il mio Equalizzatore per permetterti di creare le tue impostazioni di equalizzazione.

- Normale
- Classico
- Jazz
- Pop
- Rock
- Discorso
- My EQ

### Configurazione del Mio EQ

Questa opzione consente di impostare una distorsione nelle frequenze audio degli alti e dei bassi e di attivare o disattivare l'opzione "Volume". I valori possono essere impostati tra -5 (meno 5) e +5 (più 5).

Acuti – (Utilizzare il pulsante di controllo Seleziona per scegliere un valore di polarizzazione compreso tra -5 e +5)

Bassi – (Utilizzare il pulsante di controllo Seleziona per scegliere un valore di polarizzazione compreso tra -5 e +5)

Volume – No o Sì. (Quando l'opzione selezionata è Sì, le frequenze alte di basso livello e le frequenze basse vengono potenziate per dare un suono 'più pieno')

### Ora/Data

L'ora e la data possono essere aggiornate manualmente o automaticamente con l'aggiornamento automatico, l'ora e la data vengono automaticamente sincronizzate con i segnali orari nazionali trasmessi su DAB e FM (se disponibili).

È inoltre possibile selezionare il formato di visualizzazione per l'ora e la data.

Il menù Ora contiene le seguenti opzioni:

- Impostare Ora/Data – (vedi sotto)
- Aggiornamento automatico – Aggiorna da qualsiasi | Aggiornamento dalla radio digitale | Aggiornamento da FM | Nessun aggiornamento
- Impostare 12/24 ore – 12 | 24
- Impostare il formato della data – GG-MM-AAAA | MM-GG-AAAA.

### Impostare ora/data

Questa opzione consente di impostare manualmente l'ora e la data visualizzate.

La data viene visualizzata come **GG-MM-AAAA** o **MM-GG-AAAA** a seconda del formato della data scelto (vedere sopra).

Regolare ciascun valore usando il pulsante di controllo seleziona e premere Seleziona per confermare. Il valore successivo diventa quindi attivo e lampeggia.

L'ora viene visualizzata come **hh: mm**, con il primo valore, **hh**, attivo (lampeggiante).

### Retroilluminazione

La Elan DAB+ ha una retroilluminazione con tre impostazioni di luminosità e timeout regolabile (questo è il ritardo, in secondi, dopodiché il display passa al livello Dim)

Esistono tre impostazioni:

- Timeout – Luce accesa | 10 | 20 | 30 | 45 | 60 | 90 | 120 | 180 sec
- Acceso – Alto | Medio | Basso
- Dimer – Alto | Medio | Basso

### Lingua

La lingua predefinita è l'inglese. Per modificare, selezionare Menù> System Setting > Language > quindi selezionare la lingua

**Ripristino di default**

Un ripristino delle impostazioni di fabbrica cancella tutte le impostazioni definite dall'utente, sostituendole con i valori predefiniti originali, quindi l'ora/data, le preferenze/impostazioni e l'elenco delle stazioni DAB andranno tutti persi.

Se si seleziona Ripristino di default di fabbrica, viene richiesto di confermare selezionando "Sì".



# PURE

[www.pure.com](http://www.pure.com)  
[support.pure.com](mailto:support.pure.com)

**Pure International Limited**  
Concept House  
Home Park Road  
Kings Langley  
Herts, WD4 8UD  
United Kingdom

**Pure Europe GmbH**  
Möslbichl 78  
6250 Kundl  
Austria